

CE IP 66 IK 10

3600

Wall/Ceiling Light

TECHNICAL DATA

Mounting: Surface
Body: PC Body
Colour: White
Protection: IP66
Operation temperature: 0-50

ELECTRICAL DATA

Power: 12 / 15 / 18 / 20 / 24W
Type of Equipment: ED, Dimmable on request
Power factor: 0.9<
Input Voltage: AC 220-240V 50/60Hz

OPTICAL DATA

Beam Angle: Wide Beam
Way of lighting: Direct
Diffuser: PC
CCT: 3000K, 4000K, 6000K
CRI: 80<

GENERAL DATA

Warranty:
Application : Halls, Staircases, Corridors, Balcony



Code	Type of Equipment	Power	CRI / Ra	Luminous Efficacy	Lumens	Operating Temperature Range
3600.X012.0247	ED	12	85	100	1200	0 - 50
3600.X015.0247	ED	15	85	100	1500	0 - 50
3600.X018.0247	ED	18	85	100	1800	0 - 50
3600.X020.0247	ED	20	85	100	2000	0 - 50
3600.X024.0247	ED	24	85	100	2400	0 - 50

Please note that the standard luminaire is not intended for use in an environment with a high degree of salinity. If it is required to adapt the luminaire to work in such an environment, please contact our Sales Department to confirm the possibility of using an additional protective coating.

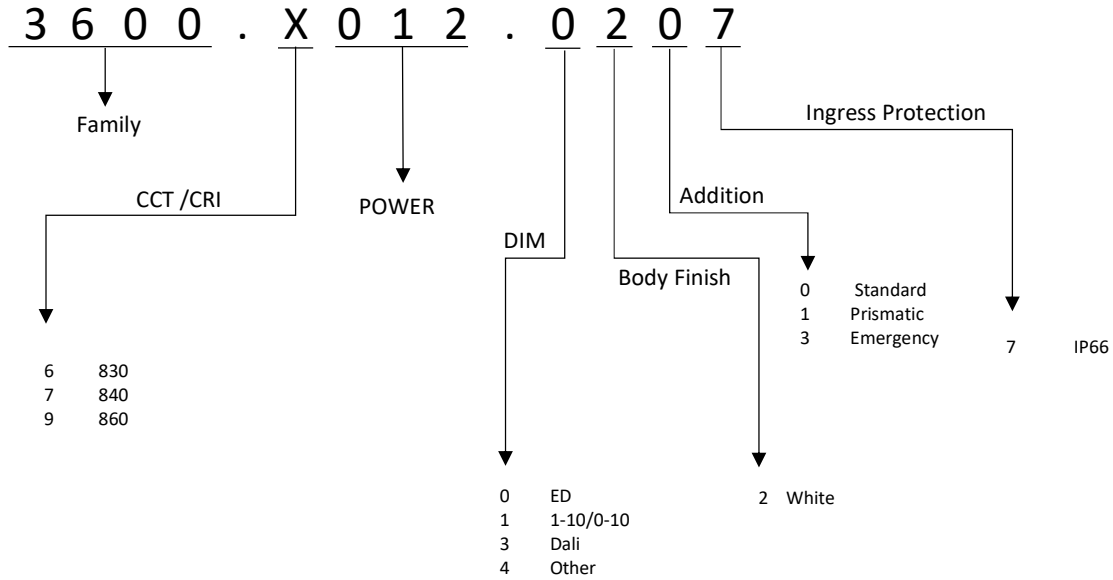
The operating temperature ranges apply only to luminaires used in the outdoor environment.

Power tolerance +/- 5%.

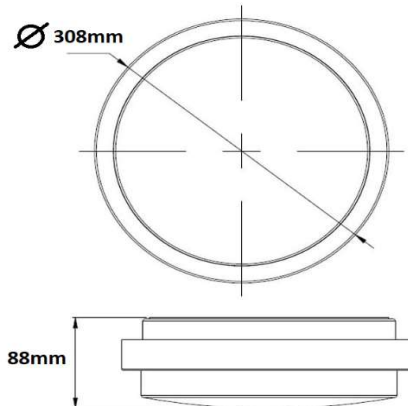
Colour temperature tolerance +/- 5%.

Led Waves Lighting reserves right to introduce any construction changes and improvements into the lighting.

ORDER DETAILS



Code	Dimension (mm)
3600.X012.0247	D 308 X H: 88
3600.X015.0247	D 308 X H: 88
3600.X018.0247	D 308 X H: 88
3600.X020.0247	D 308 X H: 88
3600.X024.0247	D 308 X H: 88



PHOTOMETRIC DISTRIBUTIONS

Please note that the standard luminaire is not intended for use in an environment with a high degree of salinity. If it is required to adapt the luminaire to work in such an environment, please contact our Sales Department to confirm the possibility of using an additional protective coating.

The operating temperature ranges apply only to luminaires used in the outdoor environment.

Power tolerance +/- 5%.

Colour temperature tolerance +/- 5%.

Led Waves Lighting reserves right to introduce any construction changes and improvements into the lighting.