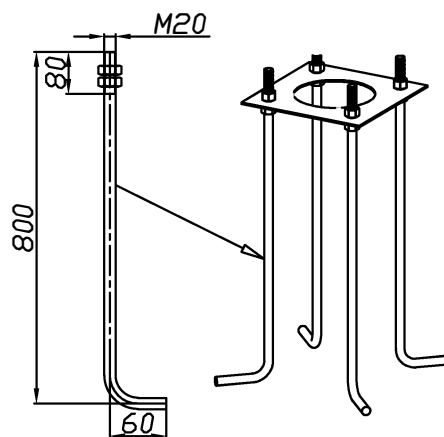
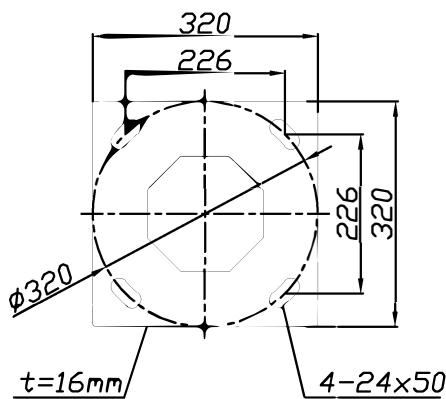


## ANCHOR BOLTS

4 pcs



## BACK PLANE



### TECHNICAL REQUIREMENTS:

1. ALL DIMENSIONS ARE IN MILIMETER
2. THICKNESS OF GALVANIZED  $\geq 85\mu\text{m}$

PRODUCT NAME		8M DOUBLE ARM POLE	
DESIGN		MATERIAL	Q235
		QUANTITY	
APPROVAL		08.08.23	WEIGHT